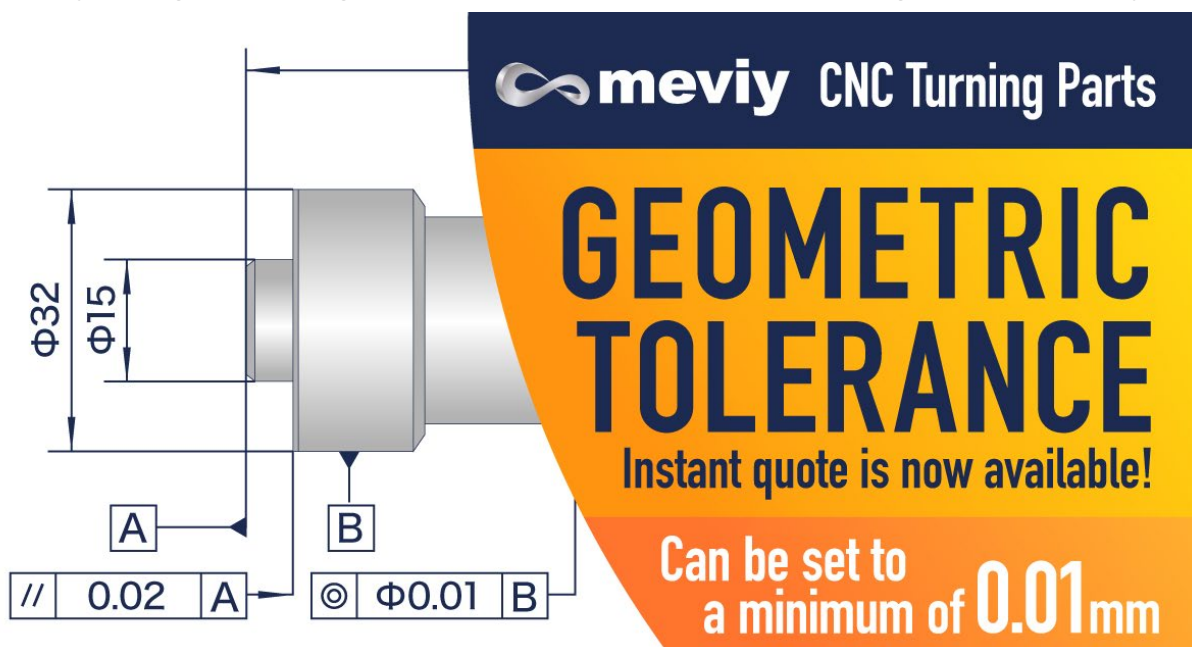


**meviy, an AI-based parts procurement platform**  
**Geometric Tolerancing for CNC Turning Parts Now Available**  
- 9 types of geometric tolerances supported, with auto-quoting and ordering of highly accurate specifications in 0.01mm increments -

Starting December 4, 2023, geometric tolerancing for CNC turning parts has become available at meviy, an AI-based parts procurement platform powered by MISUMI Group Inc. (Headquarters: Chiyoda-ku, Tokyo, Japan; Representative Director and President: Ryusei Ono).

With this new feature, customers can apply nine types of geometric tolerances on meviy, including parallelism and coaxiality greater than 0.01 mm.

We will continue to provide time value to our global customers in the IA (Industrial Automation) industry through expanding our services and contribute to enhancing their productivity.



### ■ Background

Generally, the procurement of high precision parts faces many challenges, including the time required for quotations, long delivery time, and unstable prices. To address these issues, meviy has been offering geometric tolerancing for the squared machined parts since October 2022<sup>\*1</sup>. Now, in response to the growing demand for geometric tolerances for CNC turning parts, we have introduced this new, unparalleled feature that allows customers to specify geometric tolerances (0.01 mm minimum) from 3D data and automatically receive a quote at the same time.

In December 2023, meviy will celebrate the first anniversary of its ability to quote CNC turning parts<sup>\*2</sup>. As a token of our gratitude to our customers, we are running “First Anniversary of CNC Turning Parts: Give Away ‘Something Round’ Offer” from December 5. All customers who purchase CNC turning parts from meviy Japan are invited to enter. Winners will be chosen by lottery and will receive “something round.”

\*1 Press release in Japanese: "Geometric Tolerancing for Machined Plates Now Available at meviy" (October 3, 2022)

[https://www.misumi.co.jp/assets/doc/ir/news/news\\_221003.pdf](https://www.misumi.co.jp/assets/doc/ir/news/news_221003.pdf)

\*2 Press Release in Japanese: "CNC Turning Parts Now Available at meviy" (December 5, 2022)

[https://www.misumi.co.jp/assets/doc/ir/news/news\\_221205.pdf](https://www.misumi.co.jp/assets/doc/ir/news/news_221205.pdf)

## ■ Feature Overview

- Release date** : December 4, 2023
- New feature added** : Geometric Tolerancing for CNC Turning Parts
- Accuracy of geometric tolerance** : Accuracy range that can be specified is up to 0.01mm
- Types of geometric tolerance** : 9 types (Flatness, Parallelism, Squareness, Coaxiality, Straightness, Circularity, Roundness, Circular run-out, and Total run-out)
- Applicable materials** : Steel, SUS, Aluminum, and Brass
- Delivery time** : Ship as early as the sixth day

Please see the following for the details of the new feature.

▼Information Page on meviy Service Website (in Japanese)

<https://jp.meviy.misumi-ec.com/info/ja/archives/40676/>

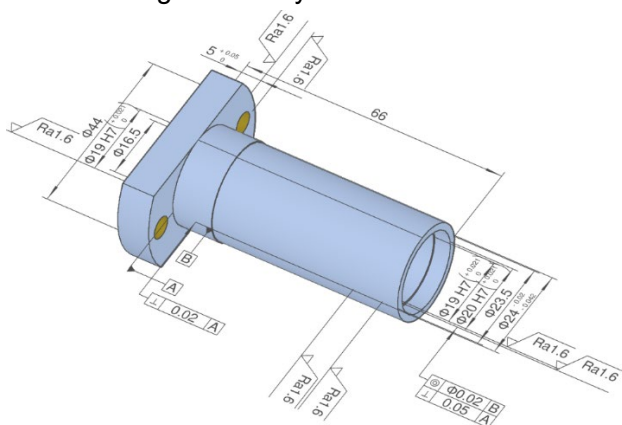
▼Technical Information Page on meviy Service Website (in Japanese)

[https://jp.meviy.misumi-ec.com/help/ja/technical\\_info/tup/](https://jp.meviy.misumi-ec.com/help/ja/technical_info/tup/)

▼List of geometric tolerances supported by the new feature

Tolerance Type	Symbols	Parallellism	///
Straightness	—	Squareness	⊥
Flatness	▭	Coaxiality	◎
Roundness	○	Circular Run-out	↗
Cylindricity	⊂	Total Run-out	↗↘

▼Data image on meviy



▼ Product example



## ■ Special offer to celebrate the first anniversary of CNC turning parts: Giveaway "Something Round" (Offer valid in Japan only)

In December 2023, the CNC Turning Parts at meviy will celebrate its first anniversary. To celebrate this, we are running a special offer: 50 customers selected by lottery from those who purchase CNC turning parts of 10,000 yen or more during the offer period will receive food, gift cards, health products, or other items related to the word "round."

<Offer Details>

Offer Name	First Anniversary of CNC Turning Parts: Give Away “Something Round”
Offer Period	Tuesday, December 5, 2023 - Friday, January 19, 2024
Eligible Customers	Customers who purchase a total of 10,000 yen (excluding tax) or more of round parts from meviy during the offer period.
Offer Content	50 winners, chosen by lottery from customers who submitted their entries via the offer entry form during the offer period, will receive an item of their choice from the following "something round". - Mister Donut gift card (of 10,000 yen) - Marudai Foods "Kirasai" ham assortment (2 sets) - Kura Sushi meal voucher (of 10,000 yen) - Fabric balance ball - Wan Matsusaka Beef meat ban gyuman (20 pieces)

Please see the offer page below for details (in Japanese) on eligibility, terms and conditions, shipping of prize, and precautions.

▼First Anniversary of CNC Turning Parts: Give Away “Something Round” Offer

[https://jp.meviy.misumi-ec.com/info/ja/campaign/fy23/marumono\\_1st-anniversary/](https://jp.meviy.misumi-ec.com/info/ja/campaign/fy23/marumono_1st-anniversary/)

■ About meviy

With meviy, customers simply upload a 3D CAD model of a mechanical component, the AI automatically provides an instant quote, and our unique Digital Manufacturing System enables an order to be shipped in one day at the earliest. meviy is a platform that eliminates perceived inefficiencies in procurement by reducing the time customers traditionally spend procuring mechanical components by more than 90%. meviy received the Prime Minister's Prize at the Ninth Monodzukuri Nippon Grand Awards, achieved the No. 1 market share in Japan for three consecutive years, and is highly regarded for its contributions to improving productivity in the manufacturing industry. For our global customers, the range of services on each meviy website is expanding; meviy delivers "time value" to customers worldwide through digital transformation in component procurement.

meviy website (In Japanese) : <https://meviy.misumi-ec.com/>

Customer testimonials (In Japanese):

[https://jp.meviy.misumi-ec.com/info/ja/archives/category/case/user\\_case/](https://jp.meviy.misumi-ec.com/info/ja/archives/category/case/user_case/)

## Through Manufacturing DX, Generate customer's "Time value."

**Front End Innovation**  
**AI Automated Quotation**

**Back End Innovation**  
**Digital Manufacturing**

Global Customers

- Upload 3D CAD models
- Instant price and delivery quotes
- Minimum 1-day shipping

Generate machining programs automatically

Provided by YAMAZAKI MAZAK CORPORATION

## ■ About MISUMI

MISUMI sells mechanical components required on-site for factory automation, as well as tools, consumables, and other products to more than 320,000 companies\*<sup>3</sup> worldwide.

We wear two hats: a manufacturer with manufacturing functions and a distributor of other company's branded products. With this unique business model, supported by a solid business base, MISUMI achieves "globally reliable, quick delivery" for greater customer convenience.

\*3 As of March 2023

【For inquiries regarding this press release, please contact】

Yuki Matsubara

e-mail: [pr@misumi.co.jp](mailto:pr@misumi.co.jp) Tel: +81-3-6777-7502

Corporate Relations Department (Tokyo, Japan)

MISUMI Group Inc.